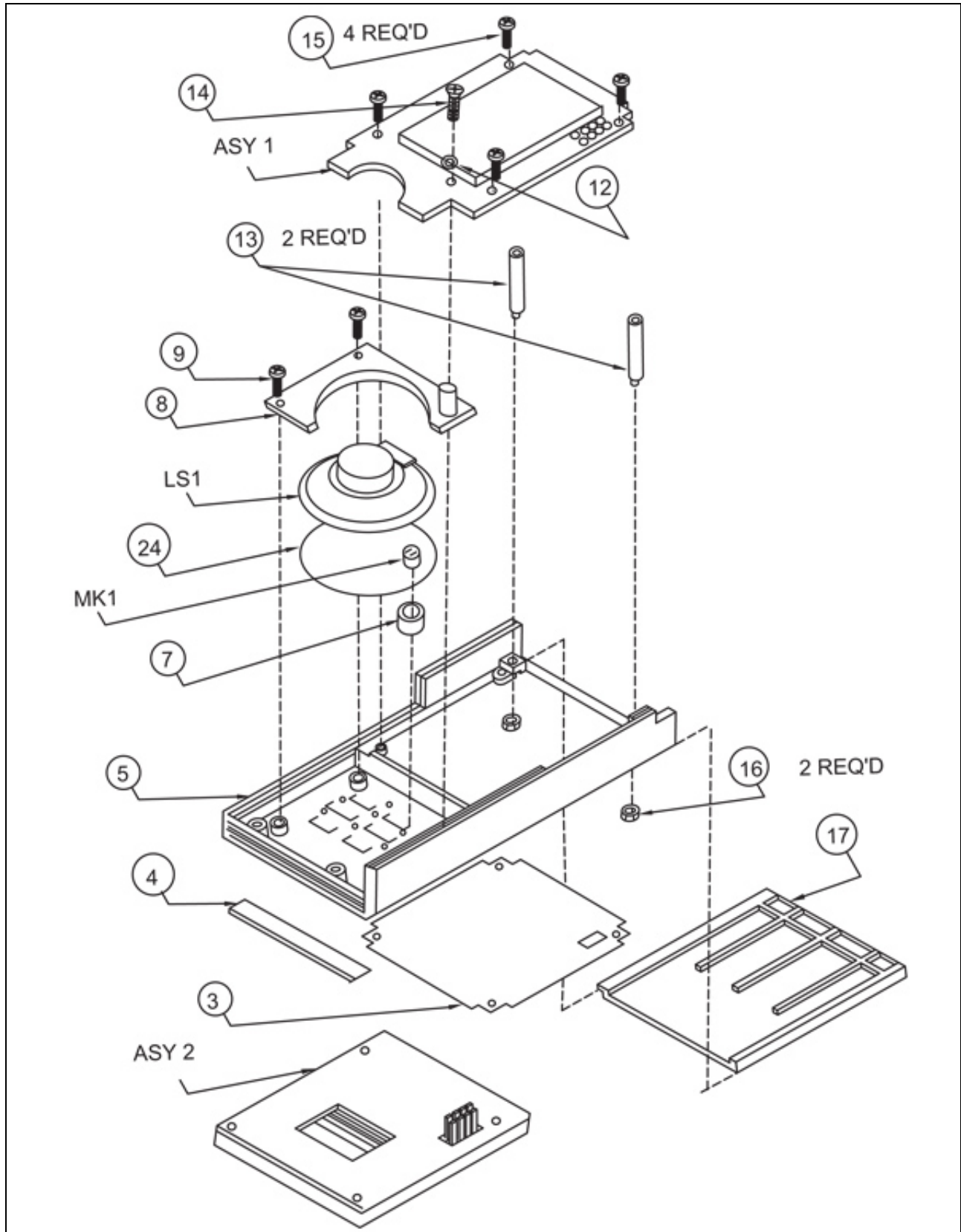


DPH/GPH/EPH/LPH Parts Lists

Front Assembly



**DPH/GPH/EPH/LPH Parts Lists
Front Assembly**

Ref #	Part #	Description
3	2512-20034-101	Gasket, Kybd-Display
4	1411-60278-406	Inlay, Nameplate_Digital, No Pin
4	1411-60278-404	Inlay, Nameplate_BK Radio
5	1411-60701-203	Cover,Front,MH,Black, Metal
5	1411-60704-507	Cover,Front,MH,Black, Lexan
5	1411-60701-201	Cover,Front,MH,Gray, Metal
5	1411-60704-502	Cover,Front,MH,Gray, Lexan
7	1411-40001-800	Bushing, Mic, Molded, EP
8	1411-40006-100	Spkr, Clip, Molded, EP
9	2807-30298-011	Scr, SIMMS, 2-56, 3/16
12	2843-00000-002	Washer, #2,Split-Lock,(Metal Case)
13	2813-20027-702	Standoff, LPU/MPU
14	2801-00437-006	Scr, MS, 2-56, X7/16
15	2816-30434-007	Plascrew,2x1/4,
17	1411-50702-304	Door, Keyboard, Black
18	1310-30956-000	Mic Cart,elec.
19	LAA0653	GPH (non flash units) Display assembly
19	LAA0653F	Keypad Assy,Alpha,GPH(flash units)/DPHX
19	LAA0650	Keypad Assy, Alpha, E-Series
19	LAA0651	Keypad Assy, Numeric, E-Series
19	LAA0655	Keypad Assy, CMD
19	LAA0654	DPHXX/GPHXP Alpha/Numeric Display assembly
20	1301-20034-702	Spkr, 8 Ohm, 1 W,
21	N/A	Option Board Assembly
24	1406-20033-800	Grill, Cloth-Speaker