



me-d150



The d150 range is the latest addition to our family of highly versatile modems. A powerful 5W UHF and VHF modem that provides low cost world wide solutions.

The d150 offers great flexibility and is designed to be small and robust. The modems are fully environmentally tested to resist water and dust ingress, power is by 9-18 dc volt supply with low current consumption mean saving on maintenance and power drain.

The d150 is suited to simple low cost applications. It offers a 0.5 - 5 Watt RF modem with Direct FM / FSK as standard and a useful Bell202/V23 option ensuring backward compatibility with certain legacy systems.

The d150 is ideal for applications requiring a flexible, cost effective point to point communication such as simple telemetry, tele-command and tele-control to / from outstations or machinery, alarm signalling and database interrogation. The unit can also be used in SCADA applications.

The d150 has been designed with International standards in mind and will help your voice and data communications solution become a global reality.

Compact and rugged die-cast housing.

Network free, point-to-point communication.

Up to 5W transmit power.

Programmable up to 16 channels.

External modem / Direct FM.

Voice capability.

'Busy' indicator.

9V dc to 18V dc.

me-d150

General

Frequency range:	d150 VHF2: 146 - 174 MHz d150 UHF1: 400 - 440 MHz d150 UHF2: 440 - 480 MHz Full switching bandwidth
Number of channels:	1 of 16, Dip switch selectable (or via external serial command)
Channel spacing:	12.5kHz, 20kHz or 25kHz all programmable
Operation:	Half Duplex
PLL step:	2.5 / 5.0 / 6.25 kHz for VHF 5.0 / 6.25kHz for UHF
Antenna impedance:	50 Ohm
Antenna connector:	BNC (female)
Weight:	260g
Mounting:	By four M3 clearance holes in base tabs of unit
Interfaces:	9 pin d-type (male)

Electrical

Power supply:	12V dc nominal +9V to +18V dc acceptable
Current consumption:	1.5A @ 5W, 0.5A @ 1W

Transmitter

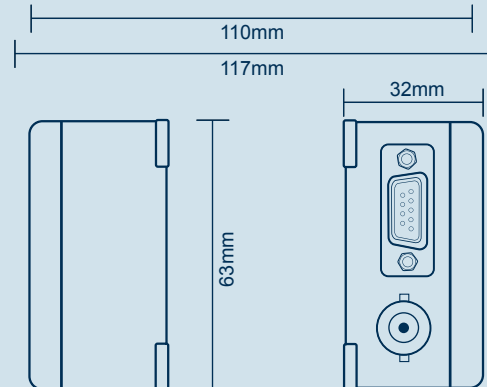
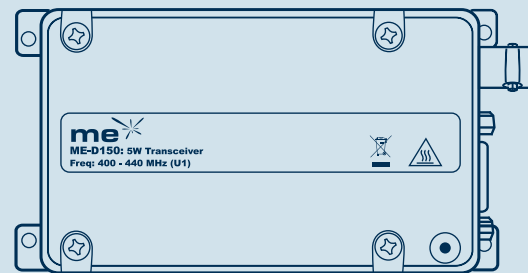
RF output power:	1W - 5W programmable (low/high default)		
Audio sensitivity (voice):	6 - 8 mV rms @ 60% peak deviation		
Data modem:	100 - 120 mV rms (external modulation)		
Modulation:	Direct FM (FSK) F3E (F1D)	FFSK F2D /& F1D	PM (voice) G3E

Receiver

Receiver sensitivity (voice):	12dB SINAD Standard B.W. < -118dBm (0.28 µV) Narrow B.W. < -117dBm (0.31 µV) @ Nominal condition Standard B.W. < -115dBm (0.39 µV) Narrow B.W. < -114dBm (0.44 µV) @ Extreme condition
Receiver sensitivity (FFSK):	-113dBm <1% BER (2400 at 25kHz channel spacing)
Audio output (speaker):	1V rms @ 8 ohms
Data output:	200 - 300mV rms

Environmental

Operating temperature:	-30 deg C to +60 deg C
Storage temperature:	-40 deg C to +85 deg C
Enclosure:	IP54 rated



Specifications are subject to change without notice and range will vary depending on the topography and the surrounding environment. Figures above are typical and measured under normal operating conditions. As such they will not form part of any contract. Our policy is one of continuous improvement and we reserve the right to change product specifications without notice.



CTCSS / DCS available (with FFSK & voice only).



Time-out timer function.



FFSK Bell 202/V2.3 option.

Mobile Expertise Limited

t: +44 (0) 8708 508 891
f: +44 (0) 8700 332 744
e: sales@mobile-expertise.co.uk
w: www.mobile-expertise.co.uk

Dealer